



Electric Vehicle Charging Reel



SAE J1772 Coupler with protective cap



Front Panel

APPLICATIONS

- Commercial Fleets
- Residential
- Commercial Settings -
Hospitals, Apartment Buildings
- Retail Shopping Centers

FEATURES

- Self contained EV charger with integrated cord reel
- SAE J1772 coupler
- Level 1 & 2 charging
- Easy to use interface
- Indoor/Outdoor
- Heavy duty steel wall mounting base
- Adjustable ball stop included
- Adjustable 4 roller guide arm included
- Made in America

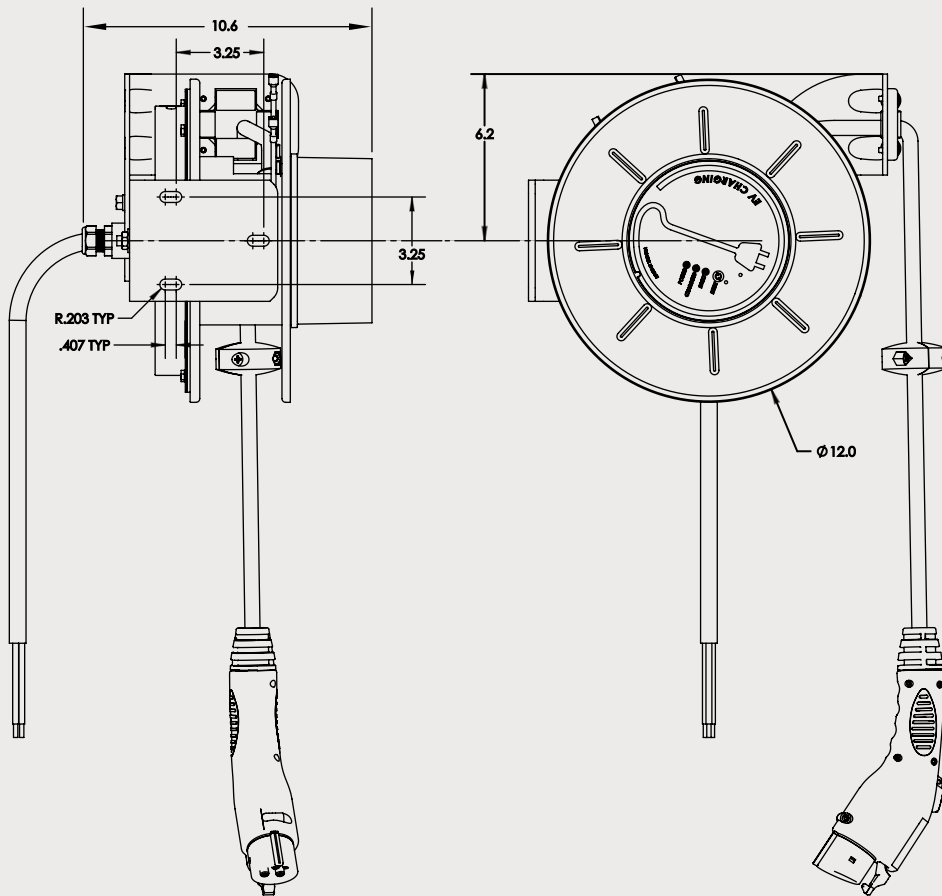
SPECIFICATIONS

- Easily wires directly into existing 120V/240V electrical systems
- Level 1 at 1.7 kW
- Level 2 at 7.2 kW
- Input voltage: 120 ± 10% Vac 60 Hz will supply 15 amps of charge current to the EV.
- Input voltage: 208 - 240 ± 10% Vac 60 Hz will supply 30 amps of charge current to the EV
- Standard 30' EV connected multi-conductor cord
- 5' feed supply cord included
- UL Type 3R Protection
- Weight: 33lbs

SKU: RTEVW-AA-K12G



Electric Vehicle Charging Reel



SAFETY FEATURES

- UL listed; complies with UL 2594, UL 2231-1, UL 2231-2, UL 991, UL 50E, and UL 1998
- SAE J1772 compliant
- Integrated Charging Circuit Interrupting Device
- Earth ground detection
- Stuck power relay detection
- Vehicle diode detection
- Open wire protection in vehicle connected cord

