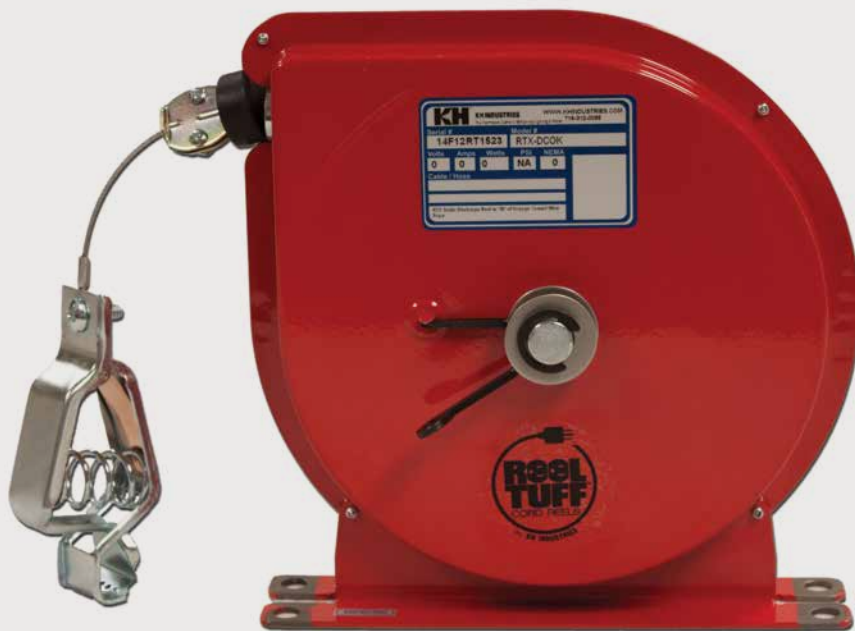


RTX Static Discharge Grounding Reels



**LIGHTING
& POWER**

Discharge Dangerous Static Electricity



APPLICATIONS

- Fuel Tank Static Grounding
- Airplane Static Grounding
- Utility Vehicle Static Grounding
- Maintenance Shops
- Any Place Where Static Might Build Up

FEATURES

- Rugged all-steel construction
- Stranded steel cord
- 100A grounding clamp
- Rubber adjustable ballstop
- Constant spring tension keeps the cord from becoming tangled (can be locked)
- Corrosion resistant with red powder coated paint
- Compact design

OPTIONS

- 25' or 50'
- Uncoated or orange nylon coated wire

DIMENSIONS

- 6.25' H x 5.75' W x 3.25' D

Model No.	Description
RTX-DCBF	RTX Static Discharge Grounding Reel w/ 25' of Uncoated Wire Rope
RTX-DCBK	RTX Static Discharge Grounding Reel w/ 50' of Uncoated Wire Rope
RTX-DCOF	RTX Static Discharge Grounding Reel w/ 25' of Orange Coated Wire Rope
RTX-DCOK	RTX Static Discharge Grounding Reel w/ 50' of Orange Coated Wire Rope



The Permanent Name in Temporary Lighting & Power

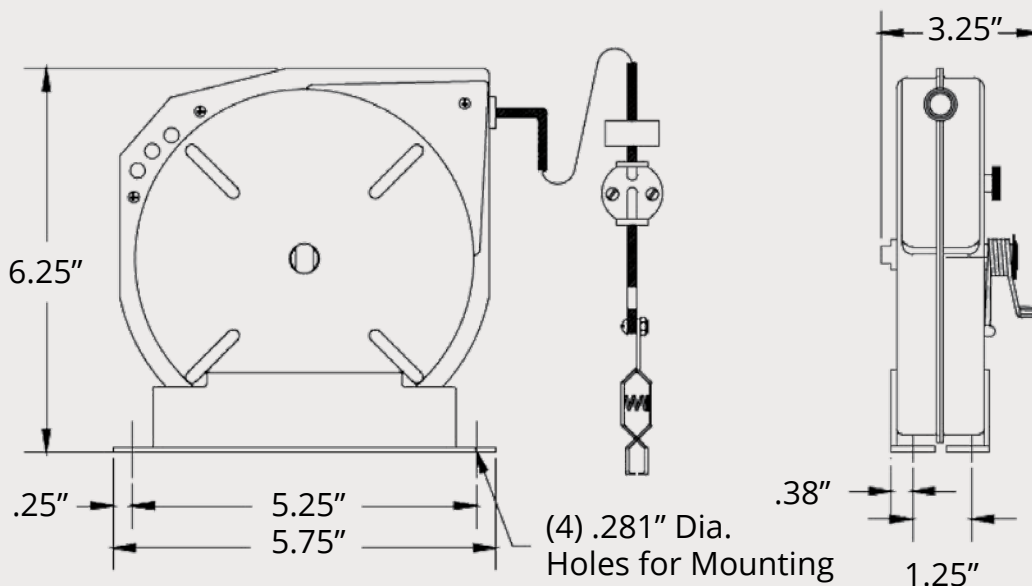


Static electricity can be generated by material processing such as mixing, pouring, pumping, filtering, and agitating. Grounding equipment can reduce static electricity in your environment and reduce the chance of a static spark igniting flammable vapors. Conductive metal objects such as screens, rims of nonconductive drums, probes, spray nozzles, and high-pressure cleaning equipment can become statically charged

Grounding systems electrically connect equipment to the ground, which prevents equipment from becoming sufficiently charged to cause a static spark.

When the potential for static electricity problems exists, you should always comply with OSHA requirements as outlined in Section 1910.106 and 1910.107 of the OSHA code. NFPA 77 also provides guidance on static electricity. Flammable liquid dispensing should be performed in accordance with all federal, state, and local laws.

Specifications



LOCK - The mechanical locking device works positively at all times and in any position, regardless of the cord retraction speed. The lock engages at the desired position by pulling the cord approximately 1/2 inch. The lock release knob (D) completely disengages the lock to constant tension.



KH™
KH INDUSTRIES

The Permanent Name in
Temporary Lighting & Power

