



# Industrial Grade Cord Reel Station

Get power where you need it!



## APPLICATIONS

- Engine block heaters for utility fleets, busses and more.
- Electric pallet jack charging
- Refrigeration vehicle operation
- Electric vehicle charging
- Indoor / outdoor

## FEATURES

- Available in a variety of lengths and custom configurations
- Weather resistant system
- Powder coated for durability
- NEMA 4X reels - maximum corrosive resistance
- GFCI protected
- Power indicator light
- Current indicator light
- Fully assembled & delivered to your site
- Lifting hook for easy installation
- 20 Amp rated cord reels

## OPTIONS

- Custom configurations
- Breakaway cables
- High amperage panel
- 120V or 240V available
- Power distribution/breaker panel
- Raised foundation/Jersey barrier mounting kit



Durable, tangle free, outdoor  
cord management system.



## Cord Reel Station Configurations

### FULLY CONFIGURABLE UNIT

KH Cord Reel Stations are fully customizable, allowing for the unit to provide power based on the unique specifications of any job site or application.

- Standard models include 4 reels but can be configured with 1-4 reels
- Mounted on a standard 6' or 3' pole, or for a raised foundation
- Jersey barrier mount kit also available
- Reels can be mounted at two tiered elevations on 6' pole
- Standard: NEMA 4X, ETL

### CORD REEL FEATURES

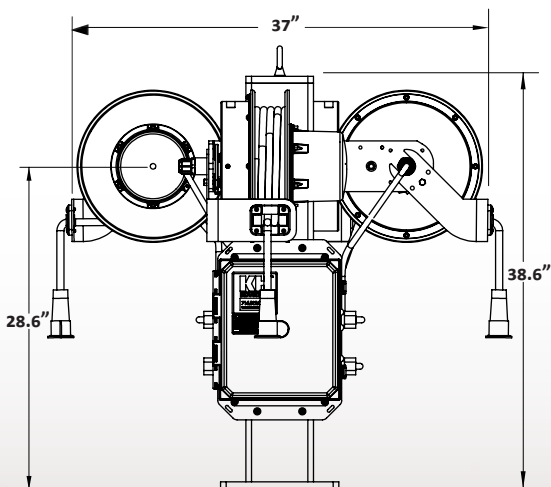
Heavy duty RTF Series retractable cord reels are designed for outdoor use in corrosive environments.

- 50' standard cord length
- Standard: NEMA 4X, ETL, CSA
- Cord Type: SOOW Black
- Color: Safety yellow, black or white



Custom built 4 x 2 cord reel station w/optional breakaway cables, load center (breaker panel) box w/GFCI, power & current indicator lights.

### 3-Foot, 4x1 Cord Reel Station for Raised Foundation



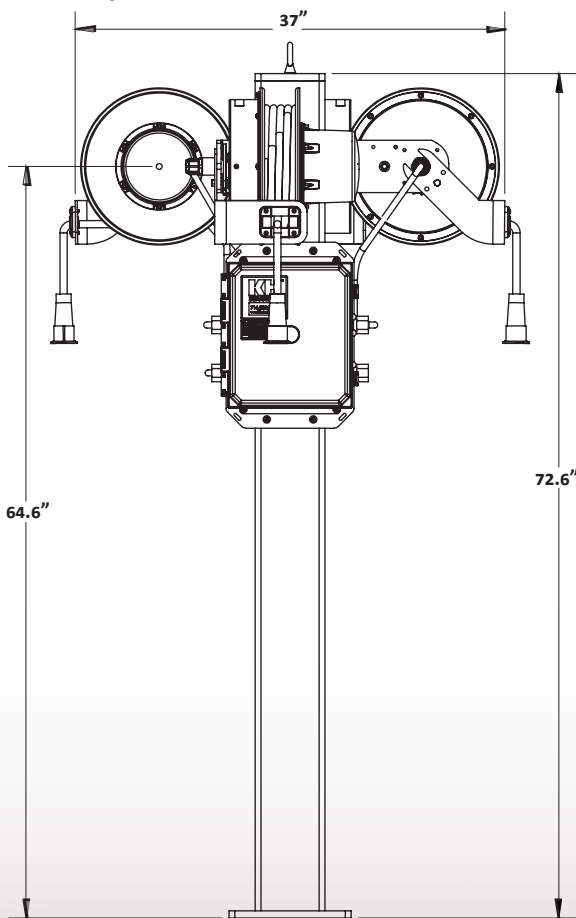
Custom built 2 x 1 cord reel station



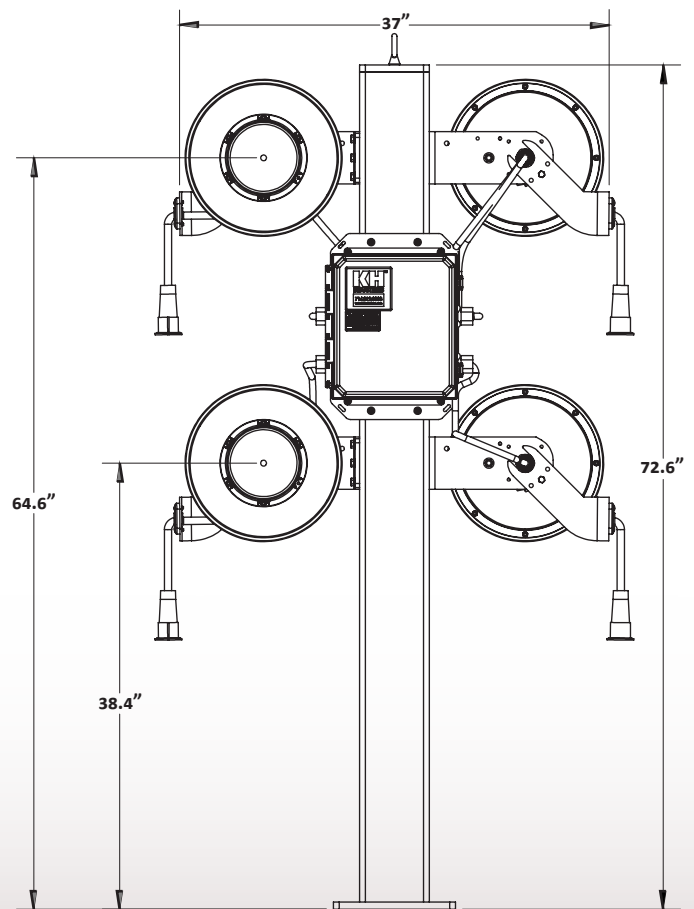
## Standard Cord Reel Station Configurations

# of Reels	Pole Height	Pole Configuration	Electrical Box Configuration	Reel - Cord Gauge	Product Payout End
4	6'	4 x 2 (4 reels on 2 tiered elevations)	Load Center w/GFCI (Breaker Panel)	12 AWG	NEMA 5-20R
			Junction Box w/GFCI		
	6'	4 x 1 (4 reels on 1 tiered elevation)	Load Center w/GFCI (Breaker Panel)		
			Junction Box w/GFCI		
	3'	4 x 1 (4 reels on 1 tiered elevation for raised foundation) <i>*Optional Jersey barrier mount kit available</i>	Load Center w/GFCI (Breaker Panel)		
			Junction Box w/GFCI		

**6-Foot, 4x1 Cord Reel Station**



**6-Foot, 4x2 Cord Reel Station**



# With a wide variety of applications and configurations - KH Cord Reel Stations bring power where you need it.



Engine block heaters for school busses.

Engine block heaters for utility fleets.



3' Cord reel power station mounted with optional Jersey barrier mount kit.



Pallet jack charging

