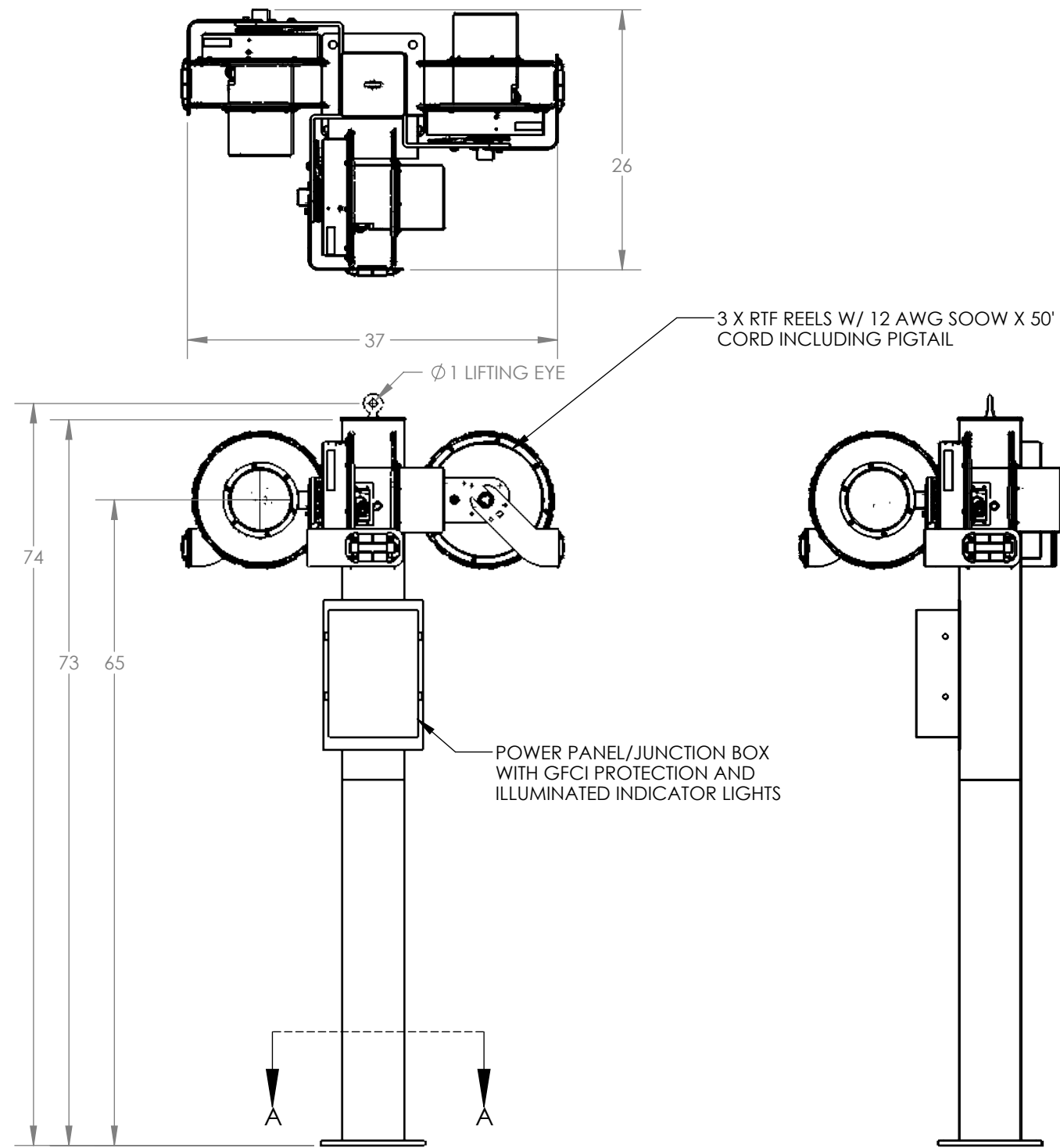
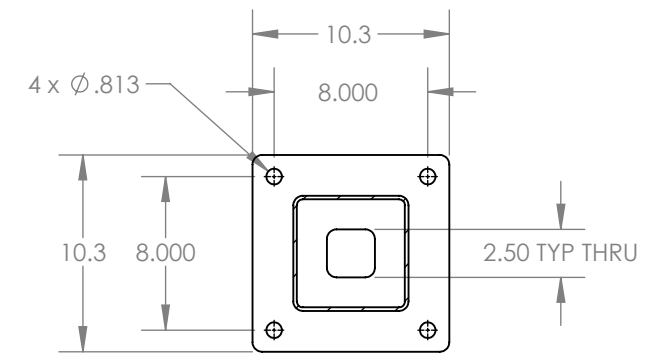


REVISIONS			
REV.	DESCRIPTION	DATE	NAME




NOTES:

1. POWER FEED TO PASS THRU COLUMN ENTERING AT 2.5" SQUARE CUTOUT TERMINATING IN POWER PANEL/JUNCTION BOX. REQUIRED CONDUCTOR LENGTH IS 60"
2. USE MINIMUM 1/2 DIA, GRADE 2 THREADED FASTENERS FOR MOUNTING
3. COLUMN AND REEL COLOR IS SAFETY YELLOW



SECTION A-A
SCALE 1 : 10

PROPRIETARY AND CONFIDENTIAL This drawing and the information shown constitute trade secret and confidential property of KH Industries Inc. It is subject to recall, and is loaned for use only in connection with the authorized manufacture or installation of KH Industries Inc. products, and on the condition that it will be treated as confidential and will not be disclosed, published or reproduced in whole or in part, or permitted to be viewed or used by any other party, without specific written permission. Receipt and use of the drawing and information constitutes acceptance and agreement to the above.	NAME	DATE	 160 Elmview Ave. Hamburg, NY 14075 www.khindustries.com	
	DRAWN			
	CHECKED			
	APPROVED			
UNLESS OTHERWISE SPECIFIED DIMENSIONS ARE IN INCHES		SIZE	DRAWING NUMBER:	
ANGULAR	.X $\pm 1^\circ$.XX $\pm .1$.XXX $\pm .03$	B
			DESCRIPTION:	
			RSOF72Y-N520G-N W/ 3X RTF REELS	
THIRD ANGLE PROJECTION		Material	Finish	
		SCALE: 1:5	DO NOT SCALE DRAWING	
		SHEET 1 OF 1		